

# Remote Temperature Sensor

**Small and accurate, up to 16 remote temperature sensors can be used in WeatherGoose Climate Monitors**

- Factory calibrated
- +/- 0.5 degF accuracy
- Small and lightweight
- Unique 64 bit address
- Uses Cat 3 telephone cable
- For WeatherGoose, SuperGoose, Mini-Goose and WeatherDuck



Using RJ-11 connectors and Category 3 cable the temperature sensor includes two nylon mounting clips. The sensor comes in two cable lengths, 20 and 100 feet. Total aggregate cable length limit is 600 feet.

## Measure Remote Temperatures

This accurate sensor can measure up to up 16 critical locations in a server room over distances of hundreds of feet.

Typical locations are:

- Air conditioning inlet (return air)
- Air conditioning output (vent)
- Room temperature
- Internal cabinet temperature
- Hottest cabinet location
- Outside (requires a rain shield)

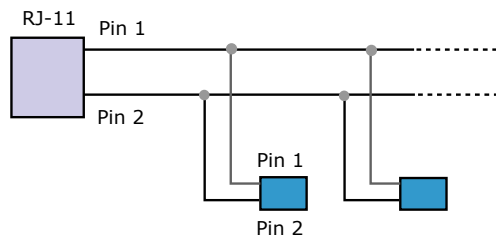
## Simple Multidrop Wiring

Up to 16 sensors can be attached to any WeatherGoose Climate Monitor using Category 3 or equivalent wiring. The aggregate wire runs should not exceed 600 feet.

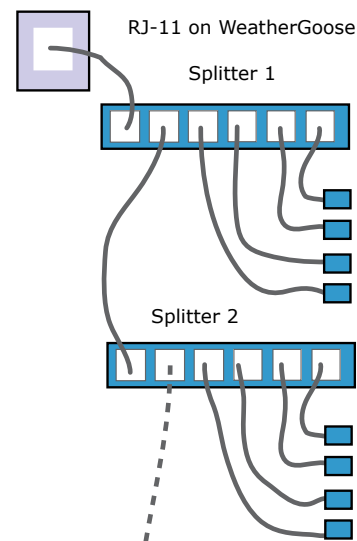
Avoid home-run wiring if possible, distribute sensors at end of runs using a splitter.

## Specifications

Celsius range: -20 deg C to 50 deg C  
Fahrenheit range: -4 deg F to +127 deg F  
Sensor: Maxim 18b20, TO-92 case  
Cable: 20' or 100'  
Conductors: 2 (pin 1 and 2)  
Model Code: RT-20 (20 foot cable)  
RT-100 (100 foot cable)



Multidrop wiring permits 16 temperature sensors to be added to any WeatherGoose Climate Monitor. The sensors are polarity sensitive. Each sensor is automatically discovered by the Weather Goose and can be given a friendly name.



Telephone splitters can be used to add additional sensors up to the maximum of 16. Note that the temperature sensors are polarity sensitive. Splitters with a "crossover" wiring arrangement will not work. Telephone punch-down blocks can be used.