

# 5-Digit, Microprocessor-based Transmitter Pulse input -- Isolated -- for FLOW

# KFT-R

## FEATURES

- Accuracy:  $\pm 0.03\%$  F.S.
- Measuring AC Frequency / DC Pulse / Magnetic; Input frequency: 0.001Hz~100KHz
- High brightness 0.4" LED display range: -19999~99999; decimal point selectable
- Surge test of AC 2000V / min between input / output / power
- High stability, non-flammable case (PC), high safety



## ORDER INFORMATION: KFT - R - [Code 1] - [Code 2] - [Code 3]

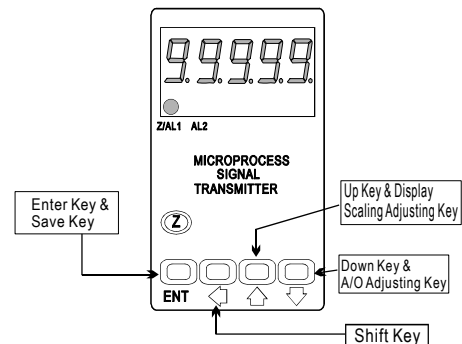
Code 1	Input Signal	Code 1	Input Signal	Code 3	Aux. Power	Code 4	Analog Output
N5	NPN(5V)	VA	AC 2-60V	A	AC110V	1	4~20mA
N2	NPN(12V)	VB	AC 60~600V	B	AC220V	2	0~20mA
P5	PNP(5V)	VC	Pick-up 50mV~1.5V	C	DC 24V	3	0~5V
P2	PNP(12V)	VD	Pick-up 500mV~15V			4	0~10V
CT	Contact	VE	DC 24Vp			0	Option
		O	Option				

\*\*1: NPN(5V), PNP(5V) offers excitation power DC5V; NPN(12V), PNP(12V) offers excitation power DC12V for flow sensors using.  
2: Please use PNP/NPN(5V/12V) or DC24Vp for DC pulse input.

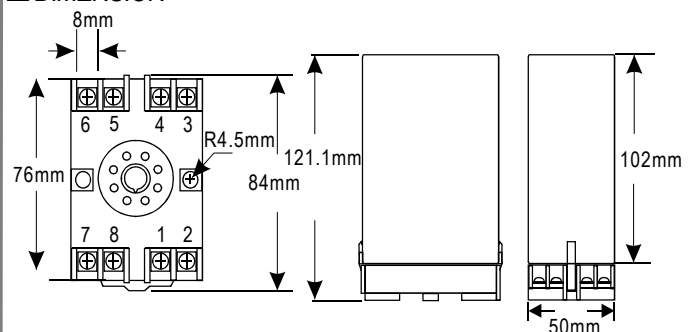
## SPECIFICATION

- ◆ Accuracy:  $\pm 0.03\%$  F.S.
- ◆ Display Screen: High brightness red LED; 10.16mm (0.4")
- ◆ Display Range: -19999~99999
- ◆ Zero Adjustment:  $\pm 9999$
- ◆ Span Adjustment:  $\pm 9999$
- ◆ Over Range Indication: doFL / ioFL
- ◆ Polarity Indication: Automatic with "-" indication
- ◆ Parameters Setting: Push buttons
- ◆ Back Up Memory: EEPROM
- ◆ Analog Output Resolution: 15 bit
- ◆ Output Response Time: <250 msec (0~90%)
- ◆ Output Capability: Voltage Output: <20mA  
Current Output: <10V
- ◆ Output Ripple:  $\leq \pm 0.1\%$  F.S.
- ◆ Isolation: Input / Output / Power / Case
- ◆ Temperature Coefficient: 100ppm / °C (0~60°C)
- ◆ Operating Temperature: 0~60°C
- ◆ Operating Humidity: 20~90% RH (non-condensing)
- ◆ Storage Temperature: -10~70°C
- ◆ Storage Humidity: 20~90% RH (non-condensing)
- ◆ Power Supply: AC 110V, AC 220V
- ◆ Surge Test: 2KVac / 1min
- ◆ Insulation Resistance: >100M $\Omega$  with 500Vdc
- ◆ Input Impedence: Voltage: >2V for 20K $\Omega$  / V;  $\leq 2V$  for >200M $\Omega$   
Current:  $\geq 0.2A$  at 100mV; <0.2A at 1V
- ◆ Installation: Socket / Plug in

## FRONT PANEL & KEY FUNCTIONS



## DIMENSION



## WIRING CONNECTION

