

# 5-Digit, Microprocessor-based Transmitter

## Thermocouple input -- Isolated -- for Temperature

# ATM-T

### FEATURES

- Accuracy:  $\pm 0.2\%$  F.S.  $\pm 0.5^\circ\text{C}$  (Cold junction compensation)
- Measuring Temperature (TC) sensors for K, J, E, R, S, B, T
- Measuring sensor disconnection
- High brightness 0.4" LED display range: -19999~99999; 1 decimal point selectable
- $^\circ\text{C}/^\circ\text{F}$  unit selectable
- Surge test of AC 2000V / min between input / output / power
- High stability, non-flammable case (PC), high safety



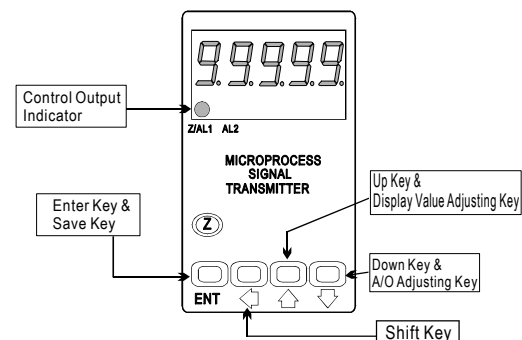
### ORDER INFORMATION: ATM-T - Code 1 - Code 2 - Code 3

Code 1	Input Type	Code 2	Aux. Power	Code 3	Analog Output
B	200~1800 $^\circ\text{C}$	A	AC 110V	1	4~20mA
E	-185~900 $^\circ\text{C}$	B	AC 220V	2	0~20mA
J	-200~200 $^\circ\text{C}$	C	DC 24V	3	0~5V
K	-200~1360 $^\circ\text{C}$			4	0~10V
R	0~1760 $^\circ\text{C}$			0	Option
S	0~1750 $^\circ\text{C}$				
T	-200~395 $^\circ\text{C}$				
O	Option				

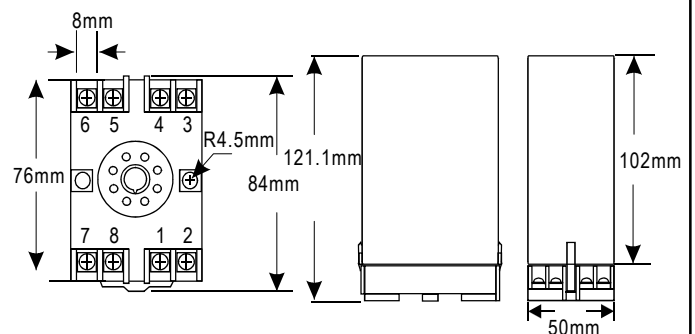
### SPECIFICATION

- ◆ Accuracy:  $\pm 0.2\%$  F.S.  $\pm 0.5^\circ\text{C}$  (Cold junction compensation)
- ◆ Display Screen: High brightness red LED; 10.16mm (0.4")
- ◆ Display Range: -19999~99999
- ◆ Zero Adjustment:  $\pm 9999$
- ◆ Span Adjustment:  $\pm 9999$
- ◆ Over Range Indication: doFL / ioFL or -doFL / -ioFL
- ◆ Polarity Indication: Automatic with "-" indication
- ◆ Disconnection Indication: Automatic with "OPEN" indication
- ◆ Parameters Setting: Push buttons
- ◆ Back Up Memory: EEPROM
- ◆ Analog Output Resolution: 15 bit
- ◆ Output Response Time: <250 msec (0~90%)
- ◆ Output Capability: Voltage Output: <20mA  
Current Output: <10V
- ◆ Output Ripple:  $\leq \pm 0.1\%$  F.S.
- ◆ Isolation: Input / Output / Power / Case
- ◆ Temperature Coefficient: 100ppm /  $^\circ\text{C}$  (0~60 $^\circ\text{C}$ )
- ◆ Operating Temperature: 0~60 $^\circ\text{C}$
- ◆ Operating Humidity: 20~90% RH (non-condensing)
- ◆ Storage Temperature: -10~70 $^\circ\text{C}$
- ◆ Storage Humidity: 20~90% RH (non-condensing)
- ◆ Power Supply: AC 110V, AC 220V
- ◆ Surge Test: 2KVac / 1min
- ◆ Insulation Resistance: >100M $\Omega$  with 500Vdc
- ◆ Input Impedence: Voltage: >2V for 20K $\Omega$  / V;  $\leq 2\text{V}$  for >200M $\Omega$   
Current:  $\geq 0.2\text{A}$  at 100mV; <0.2A at 1V
- ◆ Installation: Socket / Plug in

### FRONT PANEL & KEY FUNCTIONS



### DIMENSION



### WIRING CONNECTION

