

5-Digit, Microprocessor-based Transmitter

Dual input -- Isolated -- MATHS function

ATM-M

FEATURES

- Accuracy: $\pm 0.1\%$ F.S.
- Mathematic function available: $A \pm B$, $A \times B$, A / B , $A \& B$ (Hi or Lo), $|A|$, \sqrt{A}
- High brightness 0.4" LED display range: -19999~99999; decimal point selectable
- Display range programmable
- Surge test of AC 2000V / min between input / output / power
- High stability, non-flammable case (PC), high safety



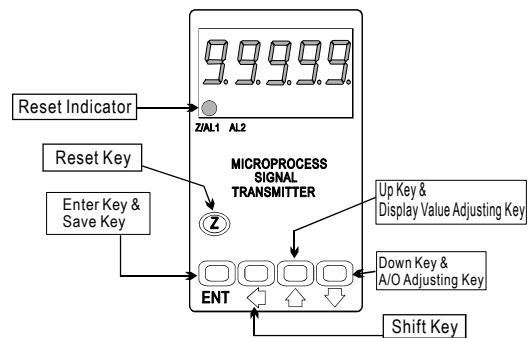
ORDER INFORMATION: ATM - M - Code 1 - Code 2 - Code 3 - Code 4 - Code 5

Code 1	Input Type	Code 2	I/P A	Code 3	I/P B	Code 4	Aux. Power	Code 5	Analog Output
D	DC	1	0~50mV	1	0~50mV	A	AC110V	1	4~20mA
A	AC AVG	2	0~10V	2	0~10V	B	AC220V	2	0~20mA
M	AC TRMS	3	0~300V	3	0~300V	C	DC 24V	3	0~5V
		4	0~20mA	4	0~20mA			4	0~10V
		5	4~20mA	5	4~20mA			0	Option
		0	Option	0	Option				

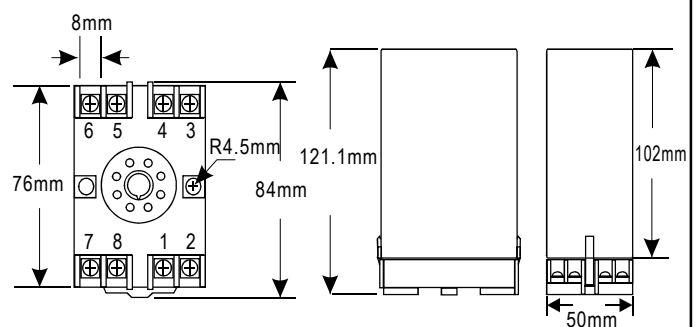
SPECIFICATION

- ◆ Accuracy: $\pm 0.1\%$ F.S.
- ◆ Display Screen: High brightness red LED; 10.16mm (0.4")
- ◆ Display Range: -19999~99999
- ◆ Zero Adjustment: ± 9999
- ◆ Span Adjustment: ± 9999
- ◆ Over Range Indication: doFL / ioFL or -doFL / -ioFL
- ◆ Polarity Indication: Automatic with "-" indication
- ◆ Parameters Setting: Push buttons
- ◆ Back Up Memory: EEPROM
- ◆ Analog Output Resolution: 15 bit
- ◆ Output Response Time: <250 msec (0~90%)
- ◆ Output Capability: Voltage Output: <20mA
Current Output: <10V
 $\leq \pm 0.1\%$ F.S.
- ◆ Output Ripple: Input / Output / Power / Case
- ◆ Isolation: 100ppm / °C (0~60°C)
- ◆ Temperature Coefficient: 0~60°C
- ◆ Operating Temperature: 20~90% RH (non-condensing)
- ◆ Operating Humidity: -10~70°C
- ◆ Storage Temperature: 20~90% RH (non-condensing)
- ◆ Storage Humidity: AC 110V, AC 220V
- ◆ Power Supply: 2KVac / 1min
- ◆ Surge Test: >100MΩ with 500Vdc
- ◆ Insulation Resistance: Voltage: >2V for 20KΩ / V; $\cong 2V$ for >200MΩ
Current: $\cong 0.2A$ at 100mV; <0.2A at 1V
- ◆ Input Impedence: Socket / Plug in
- ◆ Installation:

FRONT PANEL & KEY FUNCTIONS



DIMENSION



WIRING CONNECTION

