

## DA-1805 Series

### Features:

- . PBT Housing
- . Detecting Distance: 4~7 mm



### Specification:

Item	Model No. Type	Wire		Socket	
		Normal Open	Normal Close	Normal Open	Normal Close
		NPN Output	PNP Output		
		DA-1805NO	DA-1805NC	DA-1805NO-P	DA-1805NC-P
		DA-1805PO	DA-1805PC	DA-1805PO-P	DA-1805PC-P
<b>Max Detecting Distance</b>		5 mm ± 10%			
<b>Setting Detecting Distance</b>		0 - 4 mm			
<b>Standard Object</b>		Iron 18 × 18 × 1t			
<b>Hysteresis</b>		15% of Setting Detecting			
<b>Accuracy</b>		± 10%			
<b>Loop Protection</b>		Reverse Protection Loop			
<b>Power Supply</b>		10-30V DC		Special Type: 5 Vdc	
<b>Load Current</b>		150mA Max.			
<b>Response Frequency</b>		600Hz		Special Type: 1KHz	
<b>Indication</b>		RED LED			
<b>Protection</b>		IP 67			
<b>Vibration</b>		10-55 Hz ; 1.5mm X,Y,Z continuous 2 hours			
<b>Shock</b>		500 m/S (50g) X, Y, Z continuous 3 times			
<b>Operating Temperature</b>		-25 to 70 ; Storage Temperature: -30 to 80			
<b>Operating Humidity</b>		35 to 85 % RH			
<b>Housing Material</b>		PBT resin + 30% fibre			
<b>Wiring Material</b>		PVC 3C/ 3.8 Ø * 2M			
<b>Weight</b>		67g		77g	

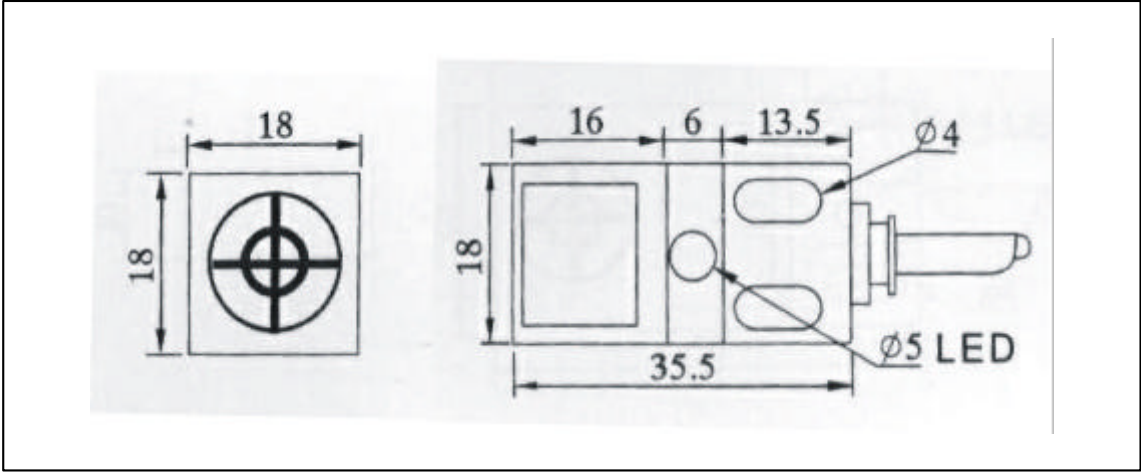
Order Information:

DA-18 0.5 X NO X - X  
 1 2 3 4 5

1. Distance: 4 ~ 7 mm
2. Output : NONE: Current Output (Standard)  
 R: Voltage Output
3. Output: Normal Open: NPN (NO) or PNP (PO)  
 Normal Close: NPN (NC) or PNP(PC)
4. Power Supply: NONE: 10~30 Vdc (Standard)  
 5V: 5 Vdc
5. Other: P : Socket  
 3M: Wire 3M (5M: Wire 5M)

# DA-1805 Series

## Dimensions:



## Optional Accessories:

