

DA-1805AC Series

Features:

- . PBT Housing
- . Detecting Distance: 4~7 mm
- . AC 2 Wire



Specification:

Item	Type	Normal Open	Normal Close
	Model	DA-1805AO	DA-1805AC
Max Detecting Distance	5 mm ± 10%		
Setting Detecting Distance	0 - 4 mm		
Standard Object	Iron 18 × 18 × 1t		
Hysteresis	15% of Setting Detecting		
Accuracy	± 10%		
Power Supply	AC 24 ~240V		
Load Current	5 ~ 250 mA		
Response Frequency	30Hz		
Indication	RED LED		
Protection	IP 67		
Vibration	10-55 Hz ; 1.5mm X,Y,Z continuous 2 hours		
Shock	500 m/S (50g) X, Y, Z continuous 3 times		
Operating Temperature	-25 to 70 ; Storage Temperature: -30 to 80		
Operating Humidity	35 to 85 % RH		
Housing Material	PBT resin + 30% fibre		
Wiring Material	PVC 2C/ 3.8 Ø * 2M		
Weight	62g		

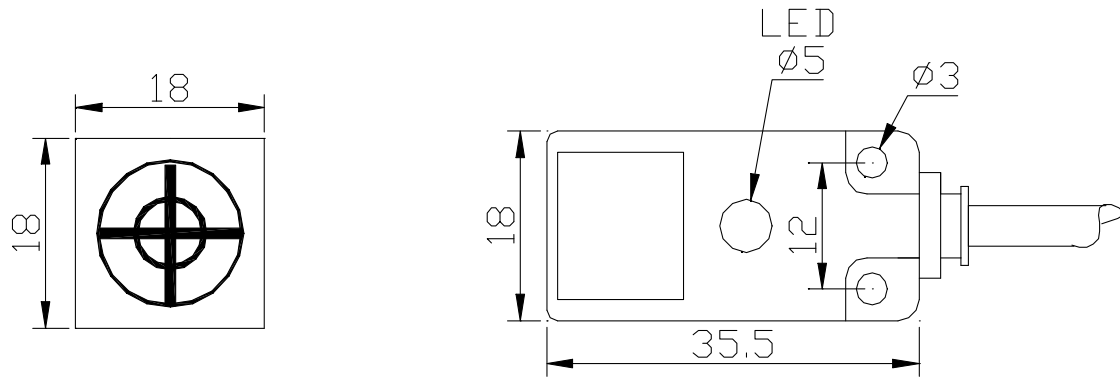
Order Information:

DA-18 0 5 X AO X - X
 1 2 3 4 5

1. Distance: 4 ~ 7 mm
2. Output : NONE: Current Output (Standard)
 R: Voltage Output
3. Output: Normal Open: NPN (NO) or PNP (PO)
 Normal Close: NPN (NC) or PNP(PC)
4. Other: P : Socket
 3M: Wire 3M (5M: Wire 5M)

DA-1805AC Series

Dimensions:



Optional Accessories:

