

DA-1705 Series

Features:

- . PBT Housing
- . Detecting Distance: 4~7 mm



Specification:

Item	Model No. Type	Wire		Socket	
		Normal Open	Normal Close	Normal Open	Normal Close
	NPN Output	DA-1705NO	DA-1705NC	DA-1705NO-P	DA-1705NC-P
	PNP Output	DA-1705PO	DA-1705PC	DA-1705PO-P	DA-1705PC-P
	Max Detecting Distance	5 mm ± 10%			
	Setting Detecting Distance	0 - 4 mm			
	Standard Object	Iron 17 × 17 × 1t			
	Hysteresis	15% of Setting Detecting			
	Accuracy	± 10%			
	Loop Protection	Reverse Protection Loop			
	Power Supply	10-30V DC	Special Type: 5 Vdc		
	Load Current	150mA Max.			
	Response Frequency	600Hz	Special Type: 1KHz		
	Indication	RED LED			
	Protection	IP 67			
	Vibration	10-55 Hz ; 1.5mm X,Y,Z continuous 2 hours			
	Shock	500 m/S (50g) X, Y, Z continuous 3 times			
	Operating Temperature	-25 to 70 ; Storage Temperature: -30 to 80			
	Operating Humidity	35 to 85 % RH			
	Housing Material	PBT resin + 30% fibre			
	Wiring Material	3C/ 3.8 Ø * 2M 3C/ 3.8 Ø * 2M			
	Weight	64g		74g	

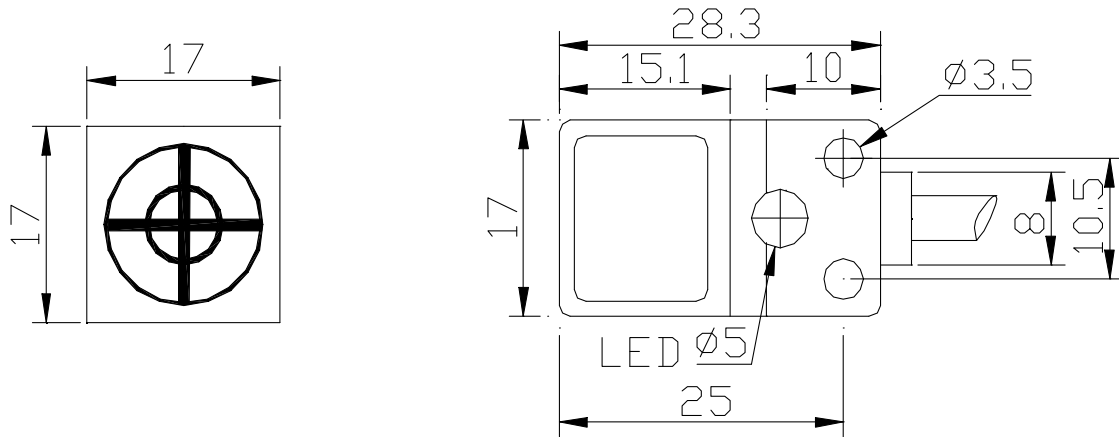
Order Information:

DA-17 0.5 X NO X - X
 1 2 3 4 5

1. Distance: 4 ~ 7 mm
2. Output : NONE: Current Output (Standard)
R: Voltage Output
3. Output: Normal Open: NPN (NO) or PNP (PO)
Normal Close: NPN (NC) or PNP(PC)
4. Power Supply: NONE: 10~30 Vdc (Standard)
5V: 5 Vdc
5. Other: P : Socket
3M: Wire 3M (5M: Wire 5M)

DA-1705 Series

Dimensions:



Optional Accessories:

