

TM-3015 Series

Features:

- . PBT Housing
- . Detecting Distance: 12~18 mm
- . DC 3 Wire & AC 2 Wire



Specification:

Type Model Item	DC 3 Wire						AC 2 Wire	
	Wire		Socket		Water Proof		-	
	Normal Open	Normal Close	Normal Open	Normal Close	Normal Open	Normal Close	Normal Open	Normal Close
NPN Output	TM-3015NO	TM-3015NC	TM-3015NO-P	TM-3015NC-P	TM-3015NO-C	TM-3015NC-C	TM-3015AO	TM-3015AC
PNP Output	TM-3015PO	TM-3015PC	TM-3015PO-P	TM-3015PC-P	TM-3015PO-C	TM-3015PC-C	-	
Max Detecting Distance	15 mm ± 10%							
Setting Detecting Distance	0 - 12 mm							
Standard Object	Iron 30 x 30 x 1t							
Hysteresis	15% of Setting Detecting							
Accuracy	± 10%							
Loop Protection	Reverse Protection Loop						-	
Power Supply	10-30V DC						AC 24 ~240V	
Load Current	200mA Max.						5 ~250 mA	
Response Frequency	300Hz						30Hz	
Indication	RED LED							
Protection	IP 67							
Vibration	10-55 Hz ; 1.5mm X,Y,Z continuous 2 hours							
Shock	500 m/S (50g) X, Y, Z continuous 3 times							
Operating Temperature	-25 to 70 ; Storage Temperature: -30 to 80							
Operating Humidity	35 to 85 % RH							
Housing Material	PBT resin + 30% fibre							
Wiring Material	PVC		3C/ 4.8 Ø * 2M		Plug : 4 pins		2C/ 4.8 Ø * 2M	
Weight	191g		201g		143g		186g	

Order Information:

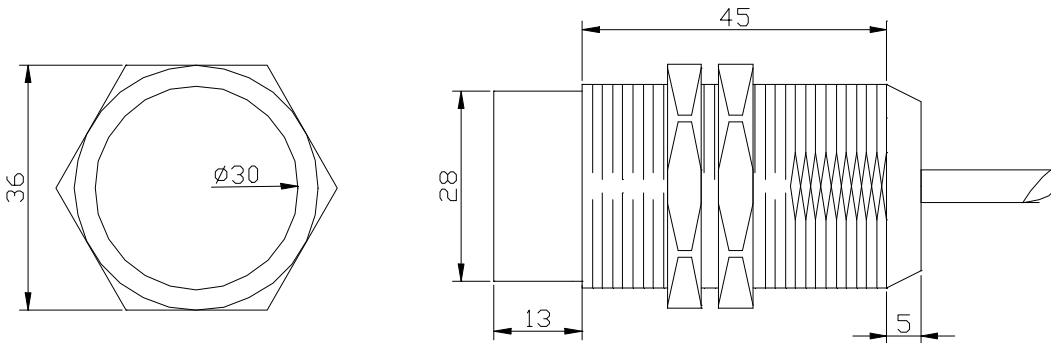
TM-30_15 X NO - X

1 2 3 4 5

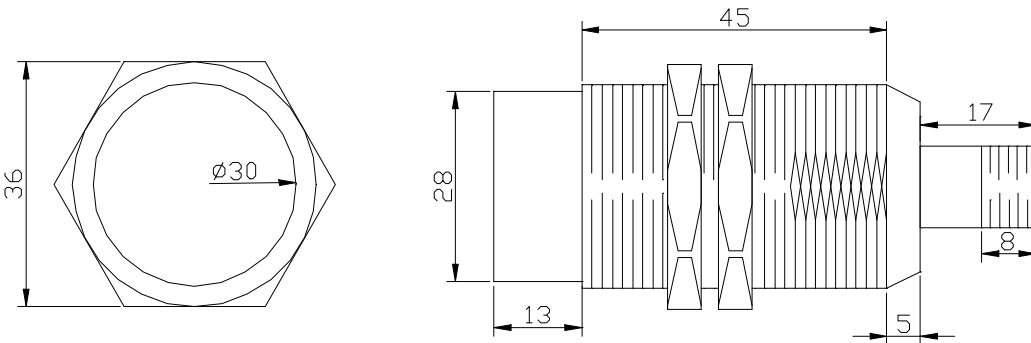
- Detecting Distance: 12 ~ 18 mm
- Output : NONE: Current Output (Standard); R: Volt
- Output: Normal Open: NPN (NO) or PNP (PO)
Normal Close: NPN (NC) or PNP(PC)
AC 2 Wire: Normal Open (AO) or Normal Close (AC)
- Other: P : Socket
C: Water Proof
3M: Wire 3M (5M: Wire 5M)

TM-3015 Series

Dimensions:



TM-3015 Wire



TM-3015 Water Proof