

# TM-1204 Series

## Features:

- . PBT Housing
- . Detecting Distance: 4~6 mm
- . DC 3 Wire & AC 2 Wire



## Specification:

Type Model Item	DC 3 Wire						AC 2 Wire	
	Wire		Socket		Water Proof		-	
	Normal Open	Normal Close	Normal Open	Normal Close	Normal Open	Normal Close	Normal Open	Normal Close
NPN Output	TM-1204NO	TM-1204NC	TM-1204NO-P	TM-1204NC-P	TM-1204NO-C	TM-1204NC-C	TM-1202AO	TM-1202AC
PNP Output	TM-1204PO	TM-1204PC	TM-1204PO-P	TM-1204PC-P	TM-1204PO-C	TM-1204PC-C	-	
<b>Max Detecting Distance</b>	4 mm ± 10%							
<b>Setting Detecting Distance</b>	0 - 3.2 mm							
<b>Standard Object</b>	Iron 12 × 12 × 1t							
<b>Hysteresis</b>	15% of Setting Detecting							
<b>Accuracy</b>	± 10%							
<b>Loop Protection</b>	Reverse Protection Loop						-	
<b>Power Supply</b>	10-30V DC						AC 24 ~240V	
<b>Load Current</b>	200mA Max.						5 ~250 mA	
<b>Response Frequency</b>	600Hz				Special Type: 1KHz		30Hz	
<b>Indication</b>	RED LED							
<b>Protection</b>	IP 67							
<b>Vibration</b>	10-55 Hz ; 1.5mm X,Y,Z continuous 2 hours							
<b>Shock</b>	500 m/S (50g) X, Y, Z continuous 3 times							
<b>Operating Temperature</b>	-25 to 70 ; Storage Temperature: -30 to 80							
<b>Operating Humidity</b>	35 to 85 % RH							
<b>Housing Material</b>	PBT resin + 30% fibre							
<b>Wiring Material</b>	PVC		3C/ 3.8 Ø * 2M		Plug : 4 pins		2C/ 3.8 Ø * 2M	
<b>Weight</b>	77g		87g		47g		72g	

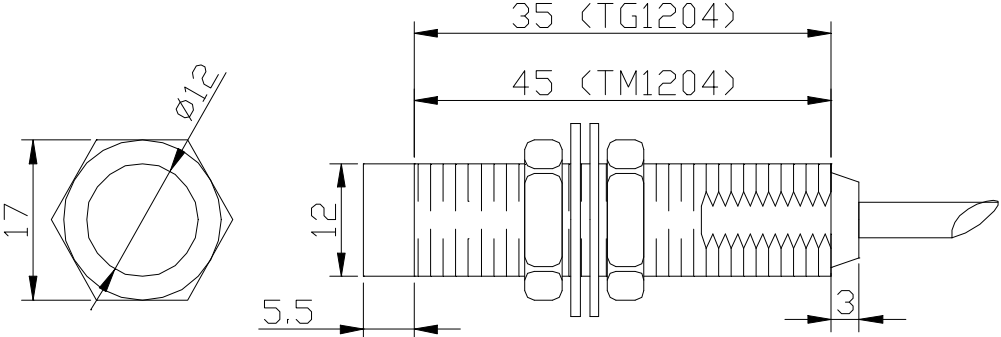
Order Information:

TM - 12 04 X NO - X  
1 2 3 4 5

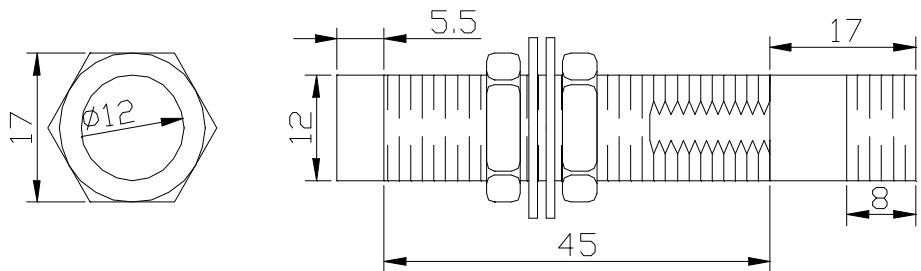
1. Dimension: 45mm
2. Detecting Distance: 3 ~ 6 mm
3. Output : NONE: Current Output (Standard); R: Vol
4. Output: Normal Open: NPN (NO) or PNP (PO)  
Normal Close: NPN (NC) or PNP(PC)  
AC 2 Wire: Normal Open (AO) or Normal Close (AC)
5. Other: P : Socket  
C: Water Proof  
3M: Wire 3M (5M: Wire 5M)

# TM-1204 Series

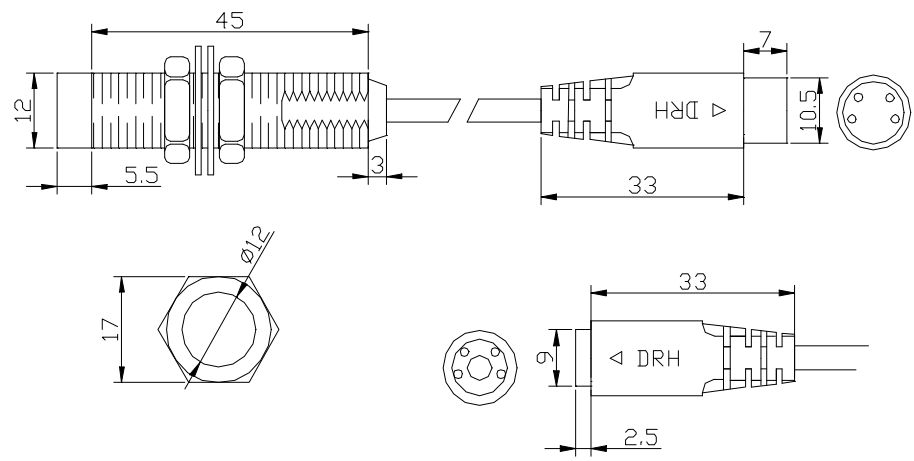
**Dimensions:**



**TM-1204 Wire**



**TM-1204 Water Proof**



**TM-1204 Socket**