

# TM-1202 Series

## Features:

- . PBT Housing
- . Detecting Distance: 2~4 mm
- . DC 3 Wire & AC 2 Wire



## Specification:

Type Model Item	DC 3 Wire						AC 2 Wire	
	Wire		Socket		Water Proof		-	
	Normal Open	Normal Close	Normal Open	Normal Close	Normal Open	Normal Close	Normal Open	Normal Close
NPN Output	TM-1202NO	TM-1202NC	TM-1202NO-P	TM-1202NC-P	TM-1202NO-C	TM-1202NC-C	TM-1202AO	TM-1202AC
PNP Output	TM-1202PO	TM-1202PC	TM-1202PO-P	TM-1202PC-P	TM-1202PO-C	TM-1202PC-C	-	
Max Detecting Distance	2 mm ± 10%							
Setting Detecting Distance	0 - 1.8 mm							
Standard Object	Iron 12 × 12 × 1t							
Hysteresis	15% of Setting Detecting							
Accuracy	± 10%							
Loop Protection	Reverse Protection Loop						-	
Power Supply	10-30V DC						AC 24 ~240V	
Load Current	200mA Max.						5 ~250 mA	
Response Frequency	1KHz						30Hz	
Indication	RED LED							
Protection	IP 67							
Vibration	10-55 Hz ; 1.5mm X,Y,Z continuous 2 hours							
Shock	500 m/S (50g) X, Y, Z continuous 3 times							
Operating Temperature	-25 to 70 ; Storage Temperature: -30 to 80							
Operating Humidity	35 to 85 % RH							
Housing Material	PBT resin + 30% fibre							
Wiring Material	PVC		3C/ 3.8 Ø * 2M		Plug : 4 pins		2C/ 3.8 Ø * 2M	
Weight	76g		86g		46g		71g	

Order Information:

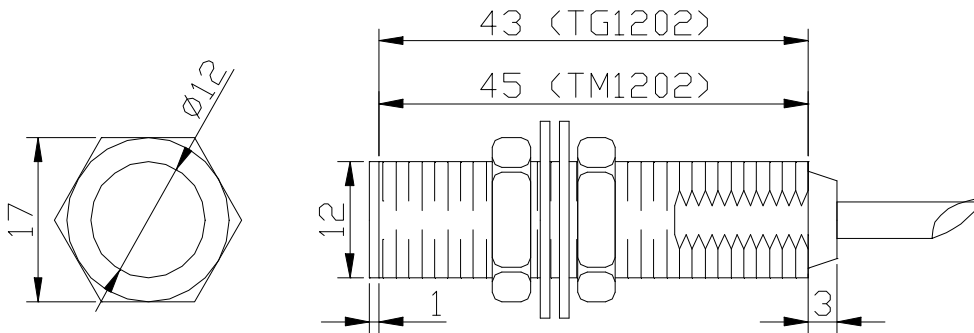
TM - 12 02 X NO - X

1 2 3 4 5

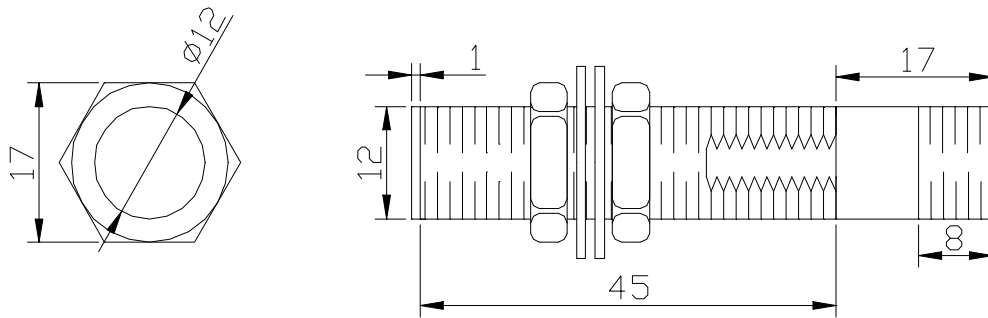
1. Dimension: 45mm
2. Detecting Distance: 3 ~ 6 mm
3. Output : NONE: Current Output (Standard); R: Voltage
4. Output: Normal Open: NPN (NO) or PNP (PO)  
Normal Close: NPN (NC) or PNP(PC)  
AC 2 Wire: Normal Open (AO) or Normal Close (AC)
5. Other: P : Socket  
C: Water Proof  
3M: Wire 3M (5M: Wire 5M)

# TM-1202 Series

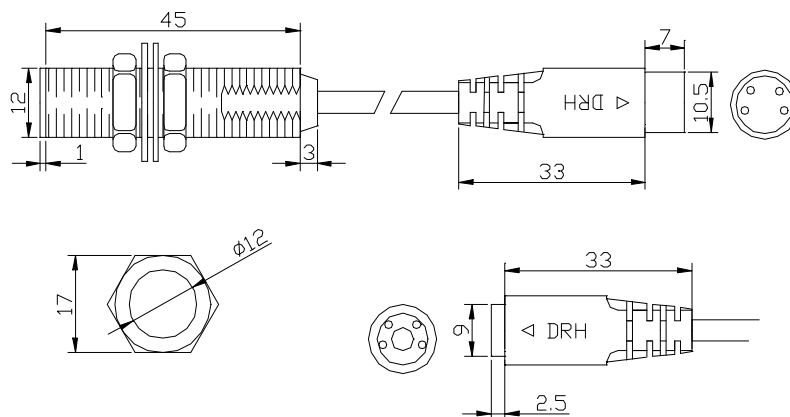
## Dimensions:



**TM-1202 Wire**



**TM-1204 Water Proof**



**TM-1202 Socket**