

TM-0801 Series

Features:

- . PBT Housing
- . Detecting Distance: 1 mm
- . DC 3 Wire



Specification:

Item	Type Model	DC 3 Wire					
		Wire		Socket		Water Proof	
		Normal Open	Normal Close	Normal Open	Normal Close	Normal Open	Normal Close
	NPN Output	TM-0801NO	TM-0801NC	TM-0801NO-P	TM-0801NC-P	TM-0801NO-C	TM-0801NC-C
	PNP Output	TM-0801PO	TM-0801PC	TM-0801PO-P	TM-0801PC-P	TM-0801PO-C	TM-0801PC-C
	Max Detecting Distance	1 mm ± 10%					
	Setting Detecting Distance	0 - 0.8 mm					
	Standard Object	Iron 8 × 8 × 1t					
	Hysteresis	15% of Setting Detecting					
	Accuracy	± 10%					
	Loop Protection	Reverse Protection Loop					
	Power Supply	10-30V DC					
	Load Current	100mA Max.					
	Response Frequency	1500Hz					
	Indication	RED LED					
	Protection	IP 67					
	Vibration	10-55 Hz ; 1.5mm X,Y,Z continuous 2 hours					
	Shock	500 m/S (50g) X, Y, Z continuous 3 times					
	Operating Temperature	-25 to 70 ; Storage Temperature: -30 to 80					
	Operating Humidity	35 to 85 % RH					
	Housing Material	PBT resin + 30% fibre					
	Wiring Material	PVC 3C/ 4.8 Ø * 2M				Plug : 4 pins	
	Weight	40g		55g		18g	

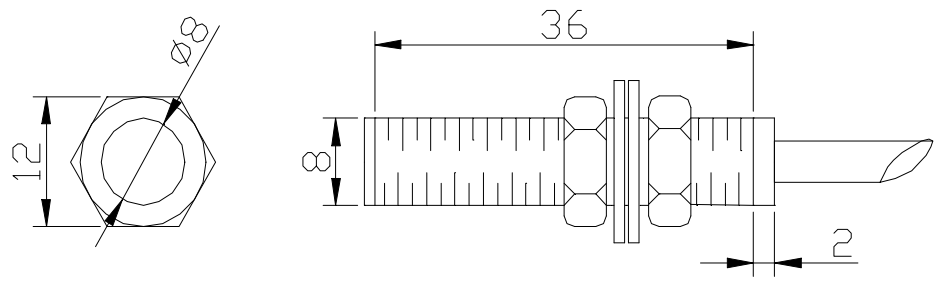
Order Information:

TM - 08 01. X NO - X
 1 2 3

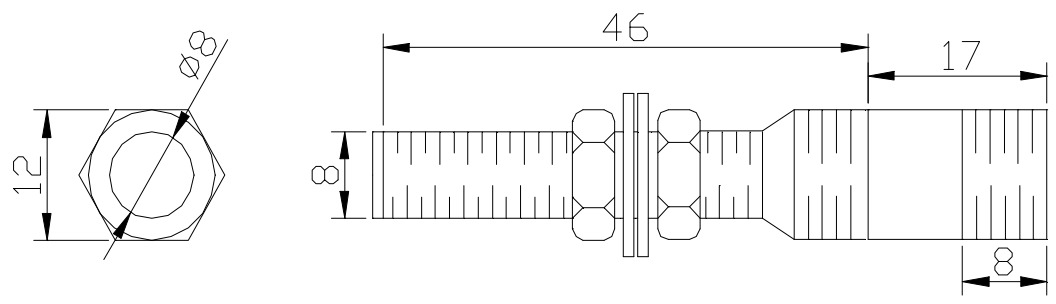
1. Output : NONE: Current Output (Standard); R: Voltage Output
2. Output: Normal Open: NPN (NO) or PNP (PO)
 Normal Close: NPN (NC) or PNP(PC)
3. Other: P : Socket
 C: Water Proof
 3M: Wire 3M (5M: Wire 5M)

TM-0801 Series

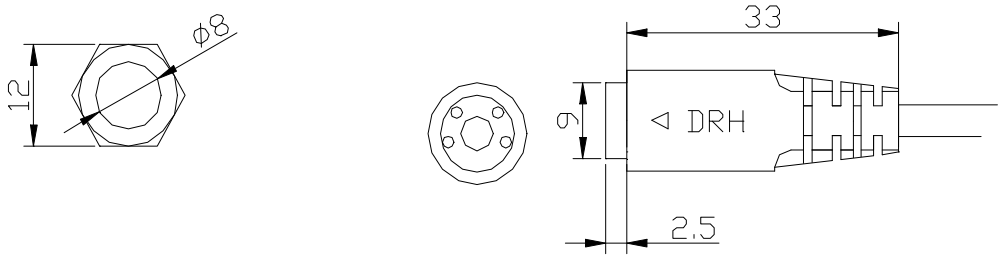
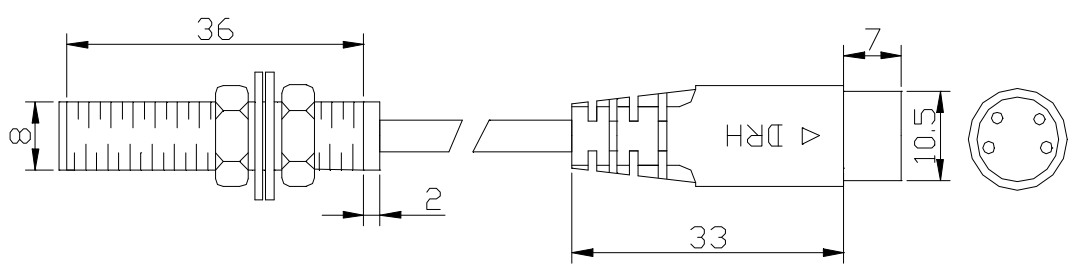
Dimensions:



TM-0801 Wire



TM-0801 Water Proof



TM-0801 Socket