

## DM-3010 Series

### Features:

- . PBT Housing
- . Detecting Distance: 12~18 mm
- . DC 3 Wire & AC 2 Wire



### Specification:

Type  Model  Item	DC 3 Wire						AC 2 Wire	
	Wire		Socket		Water Proof		-	
	Normal Open	Normal Close	Normal Open	Normal Close	Normal Open	Normal Close	Normal Open	Normal Close
NPN Output	DM-3010NO	DM-3010NC	DM-3010NO-P	DM-3010NC-P	DM-3010NO-C	DM-3010NC-C	TM-1202AO	TM-1202AC
PNP Output	DM-3010PO	DM-3010PC	DM-3010PO-P	DM-3010PC-P	DM-3010PO-C	DM-3010PC-C	-	
Max Detecting Distance	10 mm ± 10%							
Setting Detecting Distance	0 - 8 mm							
Standard Object	Iron 30 × 30 × 1t							
Hysteresis	15% of Setting Detecting							
Accuracy	± 10%							
Loop Protection	Reverse Protection Loop						-	
Power Supply	10-30V DC						AC 24 ~240V	
Load Current	200mA Max.						5 ~250 mA	
Response Frequency	300Hz						30Hz	
Indication	RED LED							
Protection	IP 67							
Vibration	10-55 Hz ; 1.5mm X,Y,Z continuous 2 hours							
Shock	500 m/S (50g) X, Y, Z continuous 3 times							
Operating Temperature	-25 to 70 ; Storage Temperature: -30 to 80							
Operating Humidity	35 to 85 % RH							
Housing Material	PBT resin + 30% fibre							
Wiring Material	PVC		3C/ 4.8 Ø * 2M		Plug : 4 pins		2C/ 4.8 Ø * 2M	
Weight	125g		135g		68g		120g	

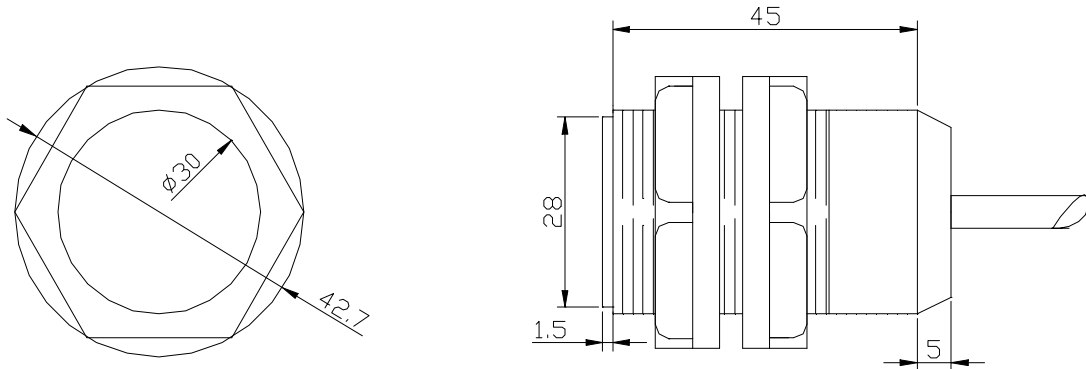
#### Order Information:

DM-30 10 X NO - X  
 1 2 3 4

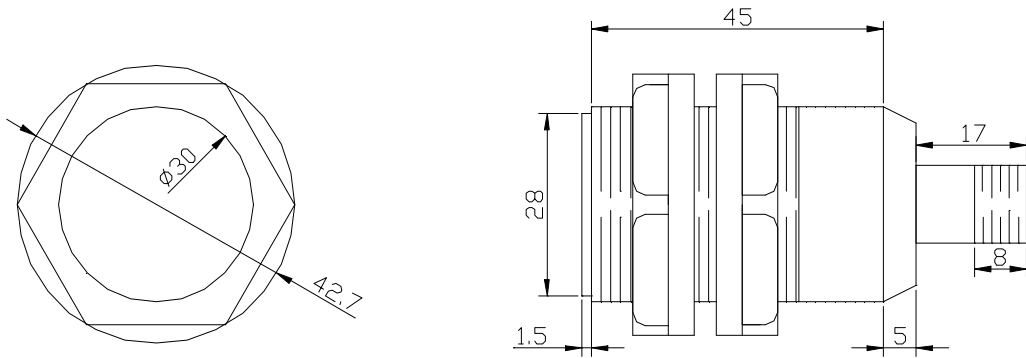
- |   |                           |
|---|---------------------------|
| 1. Detecting Distance: 12 ~ 18 mm                   | 4. Other: P : Socket      |
| 2. Output : NONE: Current Output (Standard); R: Vol | C: Water Proof            |
| 3. Output: Normal Open: NPN (NO) or PNP (PO)        | 3M: Wire 3M (5M: Wire 5M) |
| Normal Close: NPN (NC) or PNP(PC)                   |                           |
| AC 2 Wire: Normal Open (AO) or Normal Close (AC)    |                           |

# DM-3010 Series

## Dimensions:



**DM-3010 Wire**



**DM-3010 Water Proof**